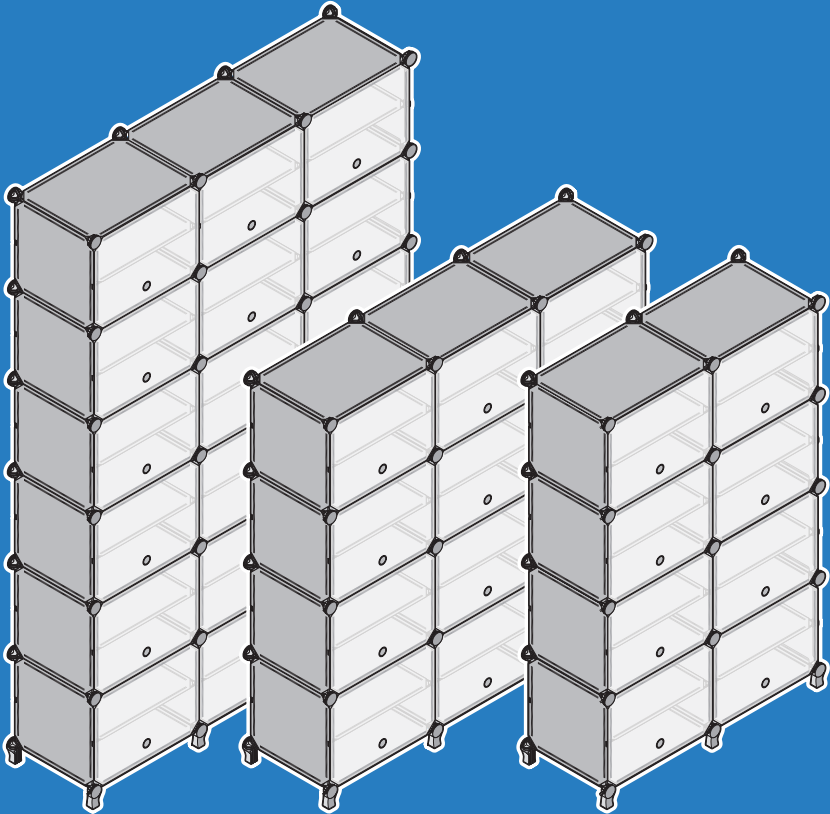




CubeDIY



Shoe Organizer

USER MANUAL

Thank you for trusting us! All of your shoes will now have a new home 🏠, and your place overall will become neater and tidier.

Getting Started

We hope you'll have fun putting this organizer together (how is that not quality time with your family? 😊), and we're sure you'll find it very practical as time goes on. Once you get the hang of how to assemble, install, and use this organizer, playing with new configurations will be easy. Find the smartest way to store your stuff!

The assembly instructions below are universal for all shoe organizers of this type. The images show the 3x6 organizer with 18 boxes in total capable of holding up to 72 pairs of shoes (for the fellow footwear lovers 🧦). If yours has fewer boxes, congratulations! The assembly will take you somewhat less time 😊.

Support and Troubleshooting

If you're having any problems with this product, contact us, and we'll help you solve them swiftly to ensure your complete satisfaction. Contacting us directly is a quicker and more effective option for you than contacting the marketplace where you made your purchase. Email or message us, and we'll respond within 24 hours.

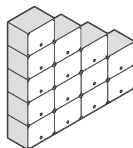
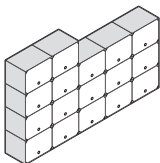
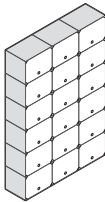


SMS: 848-900-1765



E-mail: support@cubediy.com

Missing Parts?



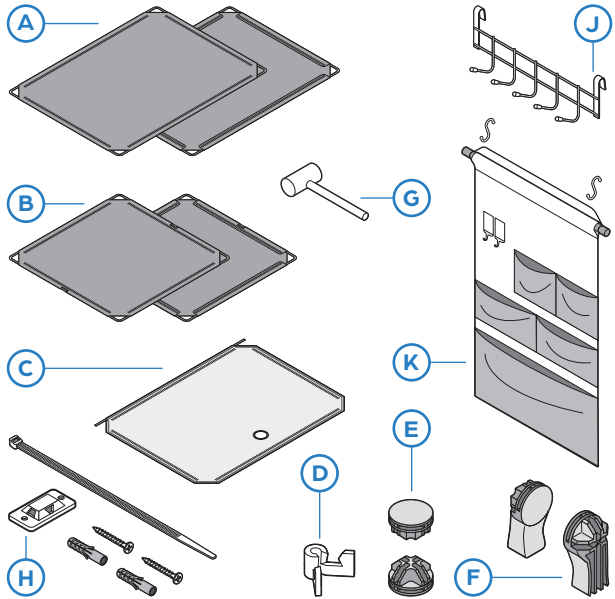
If you think that some parts are missing or extra parts are present in the package, please note that the kit is designed primarily for assembling the rectangular organizer.

We've added extra parts so that you can build other configurations.

If you want to build a different configuration, you may be lacking certain parts in the kit, or perhaps some spare parts will be left. In any case, please refer to the parts table on the right to verify the number of parts. If you've received fewer parts than the table says you should have for your type of the organizers (32, 48, or 72 pairs of shoes), **please contact us, and we'll promptly send the missing parts to you.**

What's in the Box

- A** Rectangular panels
- B** Side (square) panels
- C** Doors
- D** Shelf holders
- E** Connectors
- F** Legs
- G** Small hammer
- H** Wall fixators



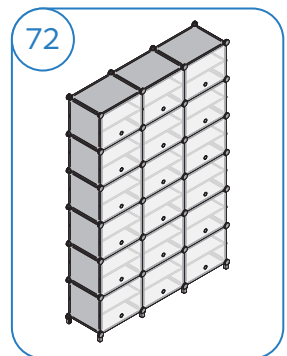
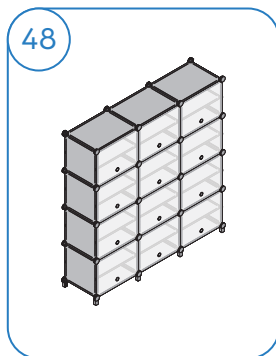
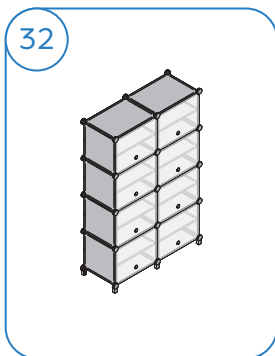
Bonuses:

- J** Hook rack
- K** Hanging organizer with 2 S-hooks

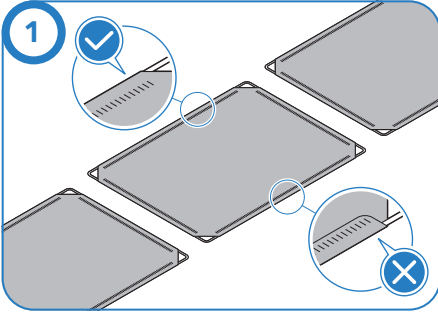


WARNING: choking hazard! Don't let small children near when assembling, as they can choke on small parts.

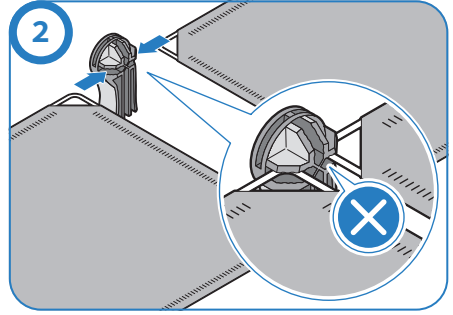
Parts Quantity	A	B	C	D	E	F	G	H	J	K
Rack for up to 32 shoe pairs	26	12	8	28	28	8	1	1	1	1
Rack for up to 48 shoe pairs	39	16	12	36	36	10	1	1	1	1
Rack for up to 72 shoe pairs	57	24	19	56	52	12	1	1	1	1



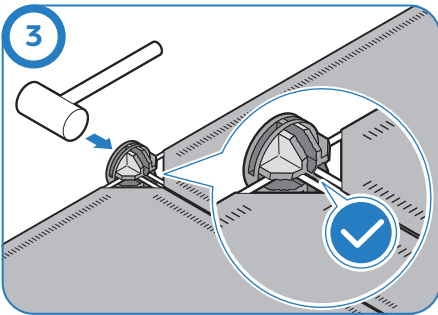
If you haven't received all the parts according to the relevant list above, please email or message us, and we'll quickly send all the missing things your way.



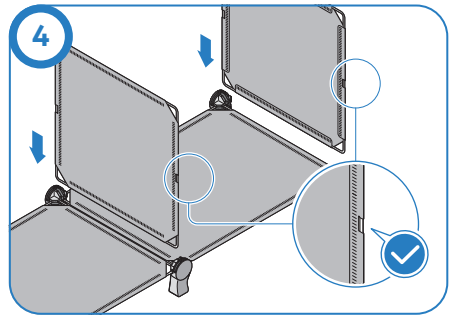
Place the rectangular panels on a flat surface **with the seams facing down**.



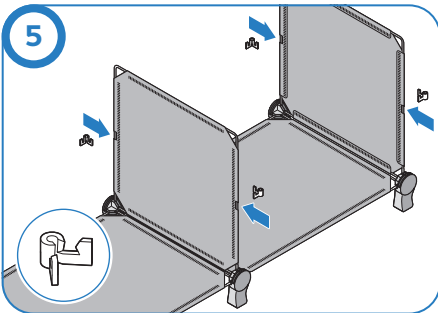
Connect the rectangular panels to the legs by inserting the panels' corners into the grooves on the legs. **Make sure that the panels are all the way inside the grooves!**



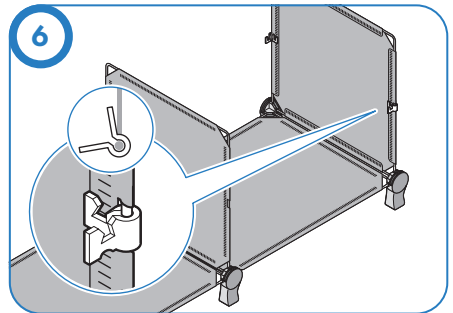
If necessary, use the small hammer (included in the kit).



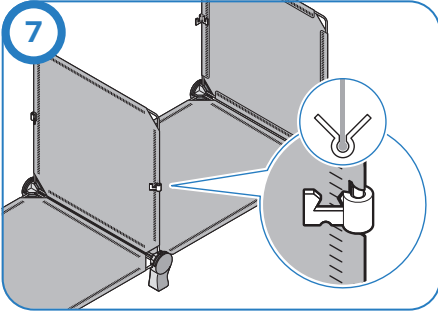
Insert the square panels into the grooves on the legs at 90° angle to the rectangular panels **with the seam facing inwards**. **Make sure that the openings for the shelf holders are on the sides of the panel!**



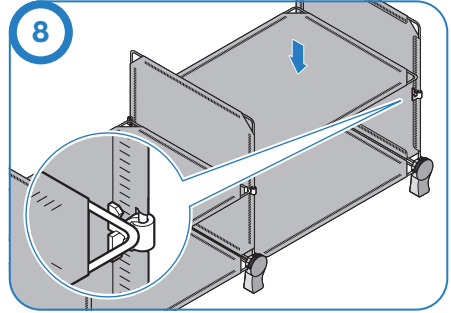
Install two shelf holders on each square panel.



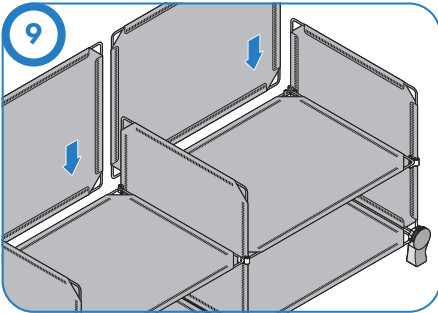
On outer panels (side walls), install the shelf holders so that both of their protrusions face inwards (inside the box).



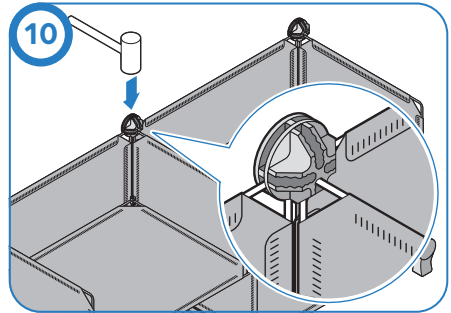
On the inner panels (dividing walls), install the shelf holders so that the two protrusions face opposite directions (each inside one of the two boxes that the square panel divides).



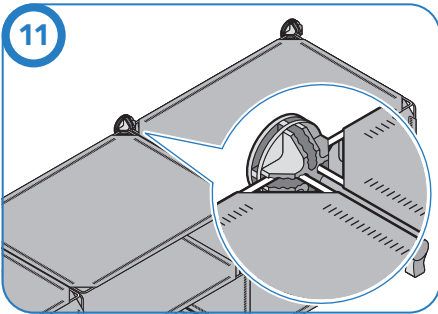
Install rectangular panels as dividing shelves on the double hooks **with the seams facing down**.



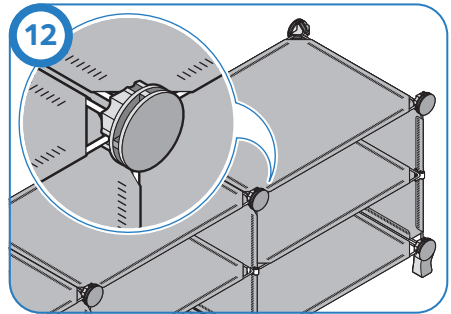
Install the back walls (rectangular panels) into connectors **with the seams facing inwards**.



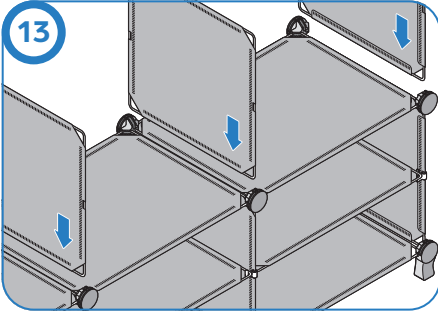
Install connectors on the back of the organizer by connecting the upper parts of the back walls and side panels.



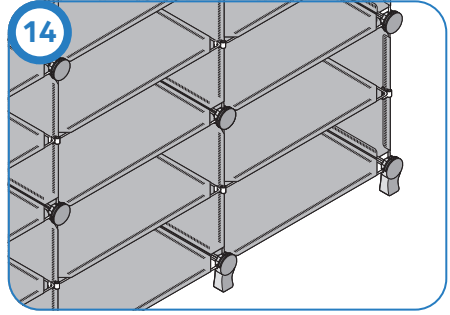
Install rectangular panels in the connectors to make the top shelves of the boxes.



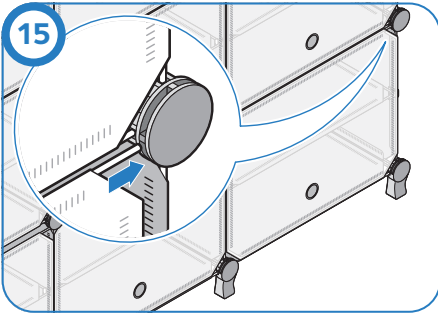
Install the connectors on the front part of the organizer by connecting the upper parts of the side panels to the top shelves.




Install the square panels into the grooves on the connectors.

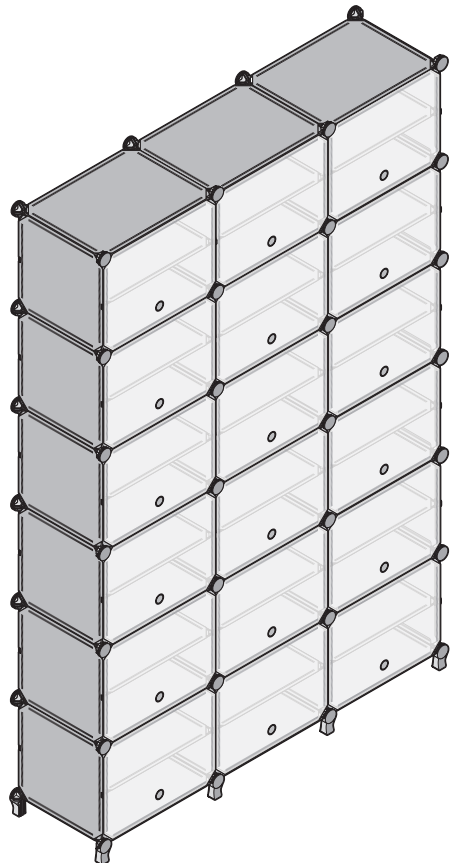


Repeat steps 5 through 12 for the rest of the panels.



Install the doors by inserting them into the grooves on the connectors **with the seams facing inwards**.

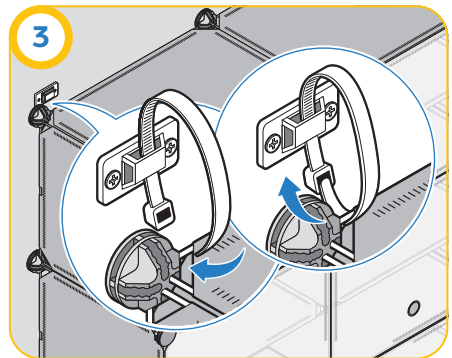
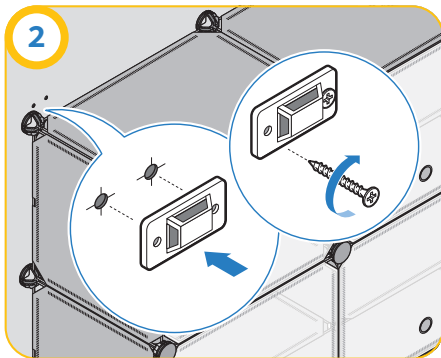
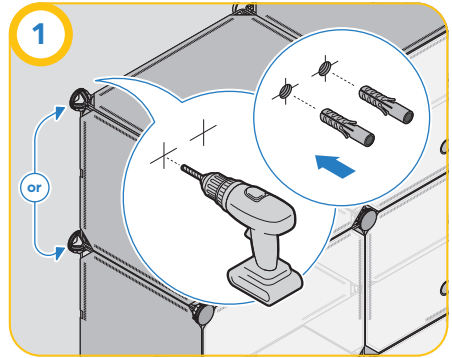
Enjoy maximized storage space! You can now sort your shoes and other stuff into the boxes, and you'll always know what's where thanks to the see-through  doors.



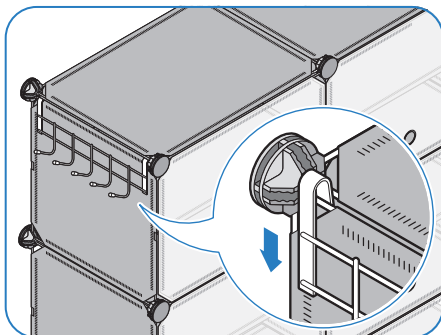
Wall Fixation

Attach the fixators to the wall on the left and right sides of the organizer. The best place would be behind the top shelf of the organizer or one level lower.

Tie the cable tie to the back of a box, catching the metal parts of the shelves and walls to safeguard the organizer from accidentally falling over.

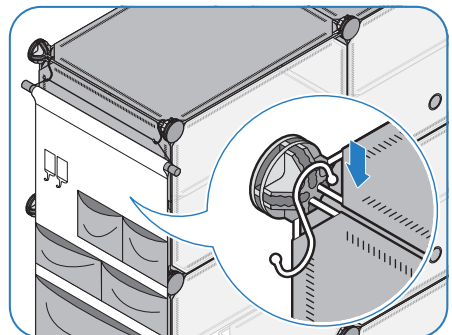


Hook rack



Install it onto the top edge of a side box so you can hang purses, shopping bags, and umbrellas on it.

Hanging organizer

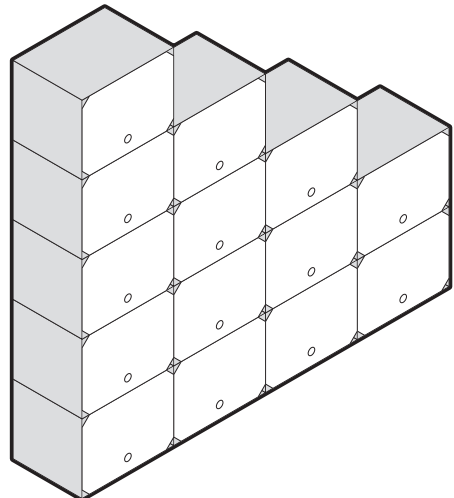
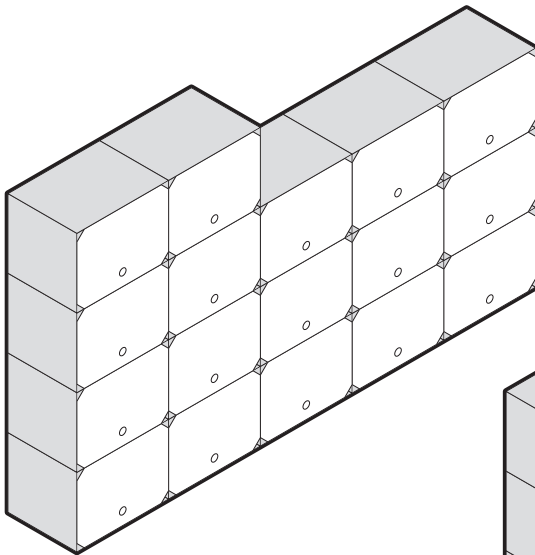
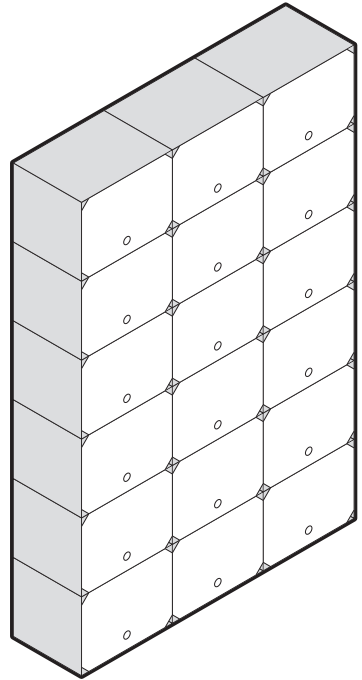


Hang it onto the side using the two S-hooks so you can store small items and shoe accessories in it.

Playing with Configurations

The organizer doesn't have to be built into a rectangular block. You can give it the shape of a staircase, divide it into several parts, or come up with more-interesting ideas 💡 for it to fit your room, your needs, and your taste.

But please note that maximum capacity is only available in the rectangular solid-block configuration. If you build it any other way, you'll have some parts left over: it's okay 🙌. Just keep them for later, when you maybe feel like rebuilding the organizer some other way.



The illustrations show alternative designs of the rack for up to 72 shoe pairs. Configurations for up to 48 and up to 32 shoe pair racks will look differently.